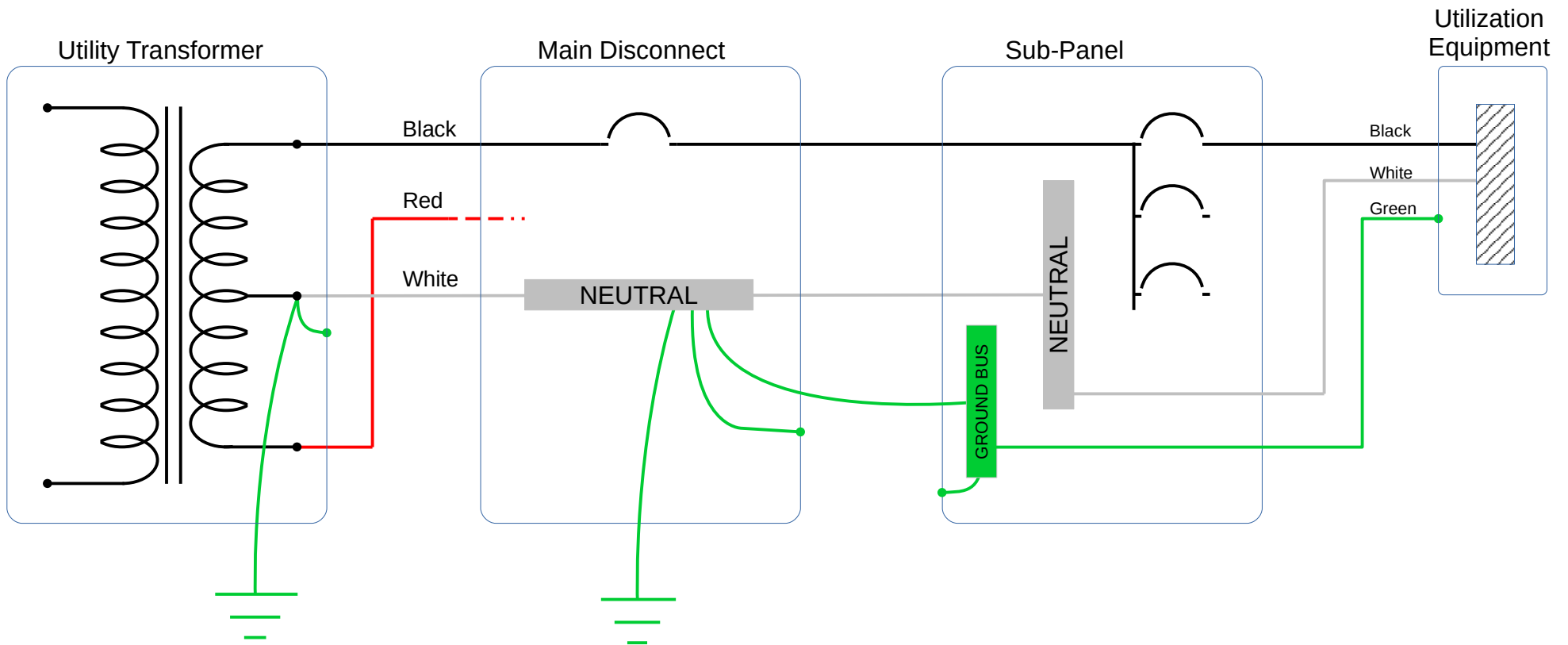
 Mind-Mapping the NEC® - Starting Template for Code Talk Podcast Episode 6





Chapter 2 Wiring and Protection

200 Use and Identification of Grounded Conductors

210 Branch Circuits

215 Feeders

220 Branch-Circuit, Feeder, and Service Load Calculations

225 Outside Branch Circuits and Feeders

230 Services

240 Overcurrent Protection

242 Overvoltage Protection*

250 Grounding and Bonding

*2017 NEC® this article was found in

280 Surge Arresters, Over 1000 Volts and

285 Surge-Protective Devices (SPDs), 1000 Volts or Less

Key Definitions:

-Service

-Feeder

-Branch Circuit

-Outlet

-Utilization Equipment

-Grounded Conductor

-Grounding Electrode Conductor

-Equipment Grounding Conductor

-Demand Factor

-Continuous Load

Some Key References:

-240.4(B) & (D)

-240.6

-T250.66

-T250.102(C)(1)

-T250.122

